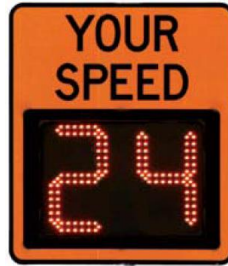


# Traffic Logix® SafePace™ 100 Radar Sign

## Product Specifications



### Dimensions

- Digit: 11”(h) x 5.6”(w), 98 LEDs per digit
- Unit alone: 15.8”(h) x 21.4”(w) x 3.0”(d)
- Unit with “YOUR SPEED” sign mounted:
  - Full size sign: 29.0”(h) x 23.0”(w) x 3.0”(d)
  - Portable, swivel-down sign: 30.3(h) x 21.5(w) x 3.0”(d)
- Sign Weight (includes “YOUR SPEED” sign (2 lbs) mounted)
  - AC Powered Model: 21 lbs
  - 3 Cell Battery Powered Model: 23 lbs
  - 4 Cell Battery Powered Model: 25 lbs
  - Solar Powered Model: 23 lbs (does not include solar panel or bracket)
- Accessories
  - 3 Cell Lithium Ion Battery: 2 lbs
  - 4 Cell Lithium Ion Battery: 4 lbs
  - Universal Mounting Bracket System
    - Sign Bracket: 2 lbs
    - Pole Bracket: 5 lbs

### Technical Specifications:

- Miles Per Hour (mph) or Kilometers Per Hour (km/h)
- Aluminum protective cover: 0.25” (d)
- High-Intensity prismatic reflective sheeting on “YOUR SPEED” signs with black colored text
- MUTCD approved colors and format
- Operating Temperatures F (C): -40 (-40) to 185 (85)
- Conformal coating on all circuit boards

---

**\*ALL SPECIFICATIONS ARE SUBJECT TO CHANGE WITHOUT NOTICE**



Traffic Logix® Corp. | 3 Harriet Lane | Spring Valley, New York 10977  
T (866) 915-6449 F (866)995-6449 | [www.trafficlogix.com](http://www.trafficlogix.com) | [info@trafficlogix.com](mailto:info@trafficlogix.com)  
©2011 Traffic Logix Corporation

## Technical Specifications (cont.):

- Power
  - Power input:
    - AC 90~264 VAC
    - 12 VDC
  - Vcc: 5.5 VDC to 16 VDC (18V max)
  - Icc@12 VDC (radar always on): Display blank- 9.5 mA
  - Display at night: 21 mA
  - Display max bright: 415 mA
  - Radar RF out: 5 mW maximum
  - Power Efficiency:
    - Best in class power efficiency
    - Low power SS300 radar drives display eliminate extra CPU
    - Built in ambient light sensing and automatic brightness control
    - Ambient temperature compensation of LED drive voltage
    - High efficiency boost regulator for LED drive voltage
    - With no traffic present, radar automatically powers down display, reducing power consumption to 0.1W
  - Power Options
    - AC power input: 90~264 VAC
    - DC power input: 12 VDC
    - Battery power option offers extended life:
      - 3 Cell, 9.6V, 10Ah Lithium-Ion Phosphate battery with 2-3 week operation between charges (under normal operating conditions)
      - 4 Cell, 12.8V, 15Ah Lithium-Ion Phosphate battery with 4 week operation between charges (under normal operating conditions)
    - Solar power
      - Compact, 10W solar panel (15.4" x 9.8" x 0.71")
- Radar
  - Internal Radar: SS300 Doppler (FCC approved)
  - Radar RF out: 5 mW maximum
  - Radar f-center: 24.125 GHz or 24.200 GHz
  - Pickup distance: Up to 300 feet
  - Beam angle: 38 x 45
  - Beam polarization: Linear
  - FCC ID (Radar): TIASS300
  - CE Mark (Radar): Yes

---

**\*ALL SPECIFICATIONS ARE SUBJECT TO CHANGE WITHOUT NOTICE**



Traffic Logix® Corp. | 3 Harriet Lane | Spring Valley, New York 10977  
T (866) 915-6449 F (866)995-6449 | [www.trafficlogix.com](http://www.trafficlogix.com) | [info@trafficlogix.com](mailto:info@trafficlogix.com)  
©2011 Traffic Logix Corporation

- Display
  - LEDs 208:
    - Digits: 196 Amber, 15 degrees, 5 mm, luminous Intensity (4180 - 8200)
    - Speed Violator Strobe: 12 White, 15 degrees, 5 mm , luminous intensity (4180 - 8200)
  - Optical lenses: 208 lenses
  - Display Brightness:
    - 11,000 nits (cdm) maximum
    - 550 nits (cdm) at night
  - Ambient light sensor and automatic brightness adjustment
- Enclosure
  - 12 gauge aluminum, flat black powder coated front for reduced glare and maximum contrast; light gray powder coated body to minimize heat absorption
  - Weatherproof, NEMA 4X-12, IP65 level compliant
  - Non-sealed and ventilated
- Mounting Options
  - Banding brackets (standard)
  - Universal Mounting Bracket System
    - Universal mounting options: circular, square and telspar poles
    - Theft resistant
    - Promotes sign portability: sign locks into mounting bracket with a turn of a key

## Communication

- Direct connection to PC through RS232 Serial Port connection
- USB to Serial port adapter cable (included)

## Programming

- SafeSpace 100 Management Software application
- On-board, programmable Rotary Switch
- Display Settings:
  - Display On/Stealth Modes (In Stealth Mode, speed is not displayed but data is collected)
  - Display Minimum Speed, Display Maximum Speed
  - Digit Flashing Speed Threshold (digits flash above selected speed)
  - Speed Violator Strobe (pulsing strobe flashes with digits or alone above Display Maximum Speed)

---

**\*ALL SPECIFICATIONS ARE SUBJECT TO CHANGE WITHOUT NOTICE**



Traffic Logix® Corp. | 3 Harriet Lane | Spring Valley, New York 10977  
 T (866) 915-6449 F (866)995-6449 | [www.trafficlogix.com](http://www.trafficlogix.com) | [info@trafficlogix.com](mailto:info@trafficlogix.com)  
 ©2011 Traffic Logix Corporation

## Data Collection and Statistical Analysis & Reporting (optional feature)

- Traffic data collected and stored by location
- Stealth Mode (capture baseline traffic data with speed display off)
- Download through Serial Port connection
- Statistical Reporting & Charts
  - Summary Reports
  - Weekly Reports
  - Period Comparison Reports
  
  - Reporting Parameters:
    - Average Vehicle Count
    - Total Vehicle Count
    - Average Speed
    - Average Number of Speed Violations
    - Total Number of Speed Violations
  - Other Features:
    - Minimum and Maximum Speed
    - 85% Speed
    - Counters by Speed Bins
    - 5 MPH Bin Resolution
    - Reports print directly or can be exported into CSV format, MS Excel, Adobe Acrobat PDF and HTML
    - Charts may be printed directly or converted into Adobe Acrobat PDF and picture formats

## Warranty

Subject to the following conditions, Traffic Logix<sup>®</sup> Corporation (“Traffic Logix<sup>®</sup>”) warrants that the SafePace™ 100 radar sign sold by it (the “Product”) is free from defects in materials and workmanship with normal use and service. This limited warranty extends for ONE (1) calendar year beginning on the invoice date of the Product.

This limited warranty extends only to the original purchaser of the Product when purchased either directly through Traffic Logix<sup>®</sup> or through an authorized Traffic Logix<sup>®</sup> distributor and is not assignable or transferable to any subsequent purchaser or end-user. Traffic Logix’s<sup>®</sup> obligation and liability under this warranty are expressly limited to repairing or replacing, at Traffic Logix’s<sup>®</sup> option, defective products. In no circumstances shall Traffic Logix’s<sup>®</sup> liability, whether in contract or tort, under any warranty, in negligence, or otherwise, exceed the amount of the purchase price of the product. Traffic Logix<sup>®</sup> shall not be liable for special, indirect, or consequential damages of any kind. This warranty does not cover damages resulting from normal wear and tear, incorrect installation or operation, use other than for the product’s intended purposes, vandalism, and

---

**\*ALL SPECIFICATIONS ARE SUBJECT TO CHANGE WITHOUT NOTICE**



Traffic Logix<sup>®</sup> Corp. | 3 Harriet Lane | Spring Valley, New York 10977  
T (866) 915-6449 F (866)995-6449 | [www.trafficlogix.com](http://www.trafficlogix.com) | [info@trafficlogix.com](mailto:info@trafficlogix.com)  
©2011 Traffic Logix Corporation

Ver. 2.3

extraordinary environmental circumstances. Traffic Logix<sup>®</sup> reserves the right to charge for these damages to the product at rates normally charged for repairing such products not covered under this warranty. Damages resulting from any physical changes or alterations made to the product other than Traffic Logix<sup>®</sup> will render this warranty VOID. Using any parts or accessories not supplied or approved by Traffic Logix<sup>®</sup>, such as battery chargers, will further render the warranty VOID.

Traffic Logix<sup>®</sup> neither assumes, nor authorizes any person to assume for it, any other liability in connection with the sale of the Product, and there are no agreements or warranties collateral to or affecting this limited warranty. THE LIMITED WARRANTY SET FORTH IN THIS AGREEMENT IS THE EXCLUSIVE AND SOLE WARRANTY APPLICABLE TO THIS PURCHASE. ALL OTHER WARRANTIES, EXPRESS OR IMPLIED, INCLUDING, BUT NOT LIMITED TO THE IMPLIED WARRANTY OF MERCHANTABILITY AND THE IMPLIED WARRANTY OF FITNESS FOR A PARTICULAR PURPOSE ARE EXPRESSLY DISCLAIMED.

Traffic Logix<sup>®</sup> does not warrant that any of its products will meet or comply with the requirements of any applicable federal, state or local safety code, law, regulation or ordinance ("Applicable Safety Laws"). Buyer acknowledges that Traffic Logix's<sup>®</sup> products are to be used only in accordance with the attached Conditional Terms of Use and any Applicable Safety Laws. Buyer agrees that there shall be no coverage or benefits of any kind under this limited warranty if it is determined by Traffic Logix<sup>®</sup> that the Product was not installed or used in accordance with the Conditional Terms of Use or Applicable Safety Laws, or if the Product has been altered in any way by anyone other than Traffic Logix<sup>®</sup>, or if the Product has been subject to any misuse or accident. In addition, Buyer assumes and agrees to indemnify Traffic Logix<sup>®</sup> for all risk, liability or expense that results from any installation or use of the Product that is not in accordance with the Conditional Terms of Use or any Applicable Safety Laws.

### **Warranty Replacement Procedure**

In order to submit a claim for the repair or replacement of the Product under this limited warranty, you must do the following:

- 1) Obtain a Return Materials Authorization number by contacting Customer Support. Do not ship your defective product to Traffic Logix<sup>®</sup> prior to contacting Customer Support.
- 2) A Customer Support agent will evaluate the Product to determine if it is defective. If the product is defective, then you will need to submit your contact information, and proof of purchase (including the date of purchase), in order to obtain repair or replacement parts.
- 3) The Customer Service Agent will provide you with instructions on how to have defective parts repaired or replaced.

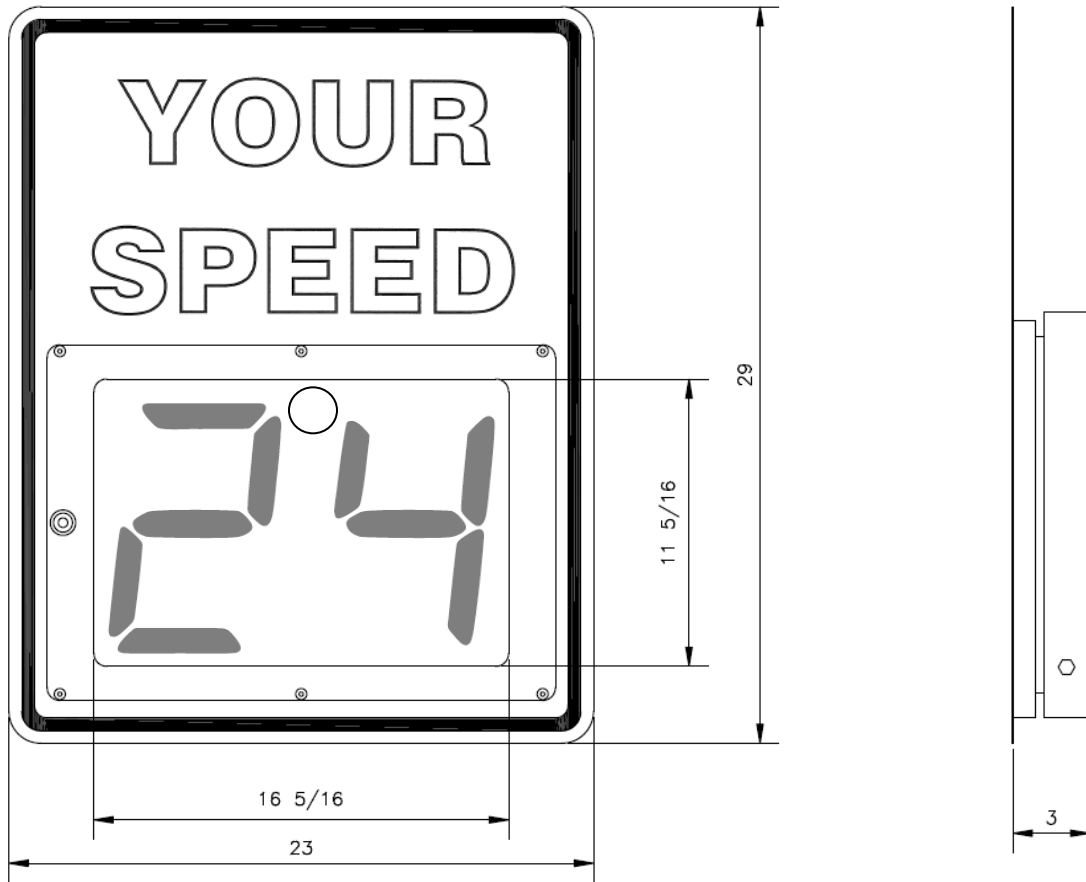
---

**\*ALL SPECIFICATIONS ARE SUBJECT TO CHANGE WITHOUT NOTICE**

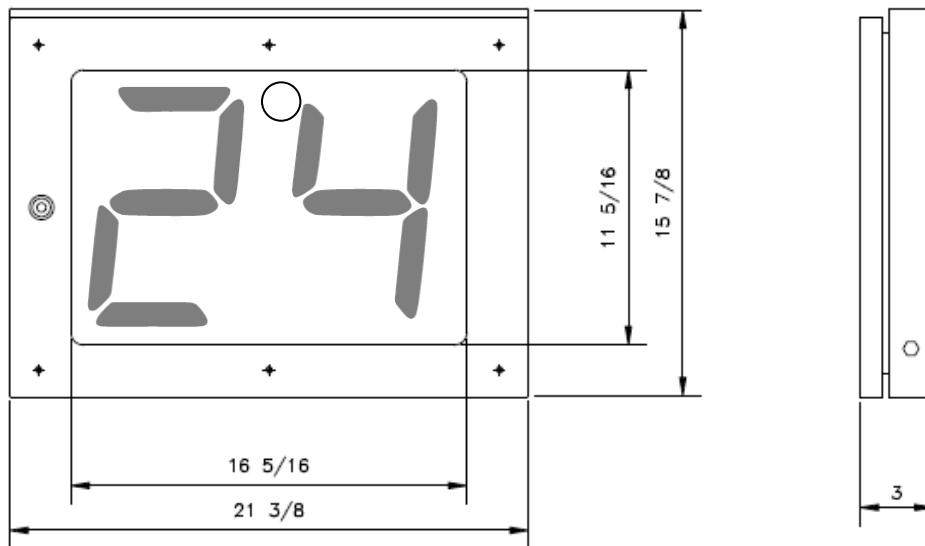


Traffic Logix<sup>®</sup> Corp. | 3 Harriet Lane | Spring Valley, New York 10977  
T (866) 915-6449 F (866)995-6449 | [www.trafficlogix.com](http://www.trafficlogix.com) | [info@trafficlogix.com](mailto:info@trafficlogix.com)  
©2011 Traffic Logix Corporation

**SafePace™ 100 Radar Sign with Full “YOUR SPEED” Sign Face**



**SafePace™ 100 Radar Sign - unit alone**

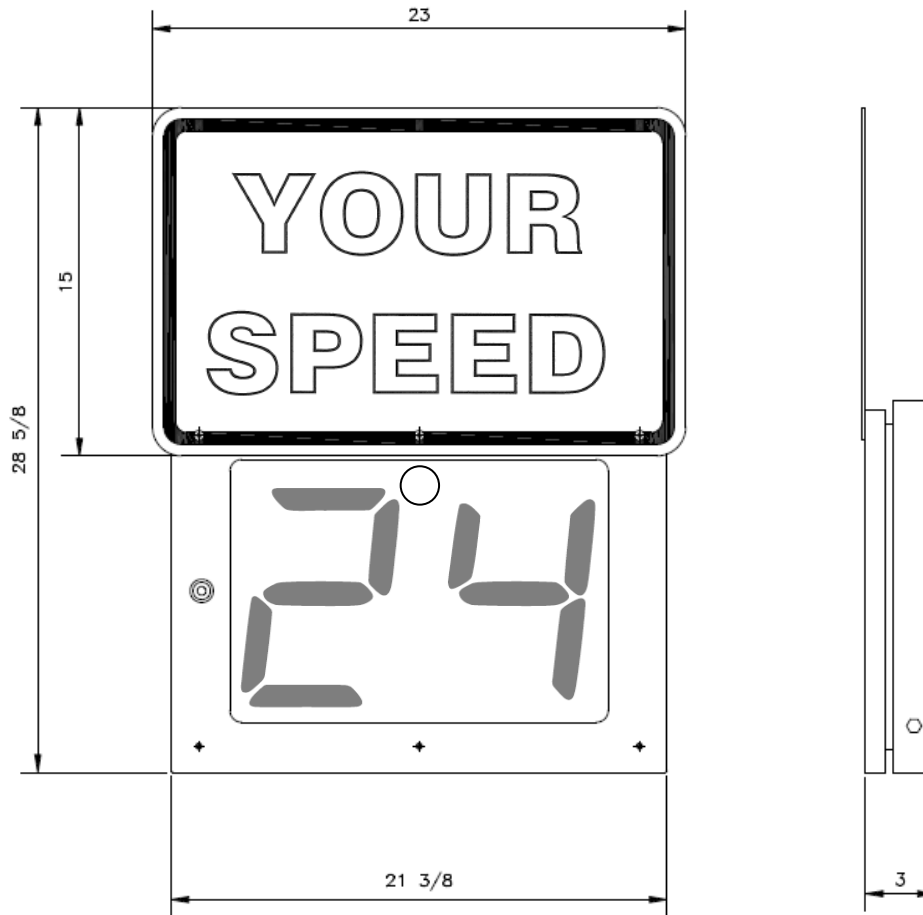


**\*ALL SPECIFICATIONS ARE SUBJECT TO CHANGE WITHOUT NOTICE**



Traffic Logix® Corp. | 3 Harriet Lane | Spring Valley, New York 10977  
 T (866) 915-6449 F (866)995-6449 | [www.trafficlogix.com](http://www.trafficlogix.com) | [info@trafficlogix.com](mailto:info@trafficlogix.com)  
 ©2011 Traffic Logix Corporation

**SafePace™ 100 Radar Sign with Optional, Fold-Down “YOUR SPEED” sign**

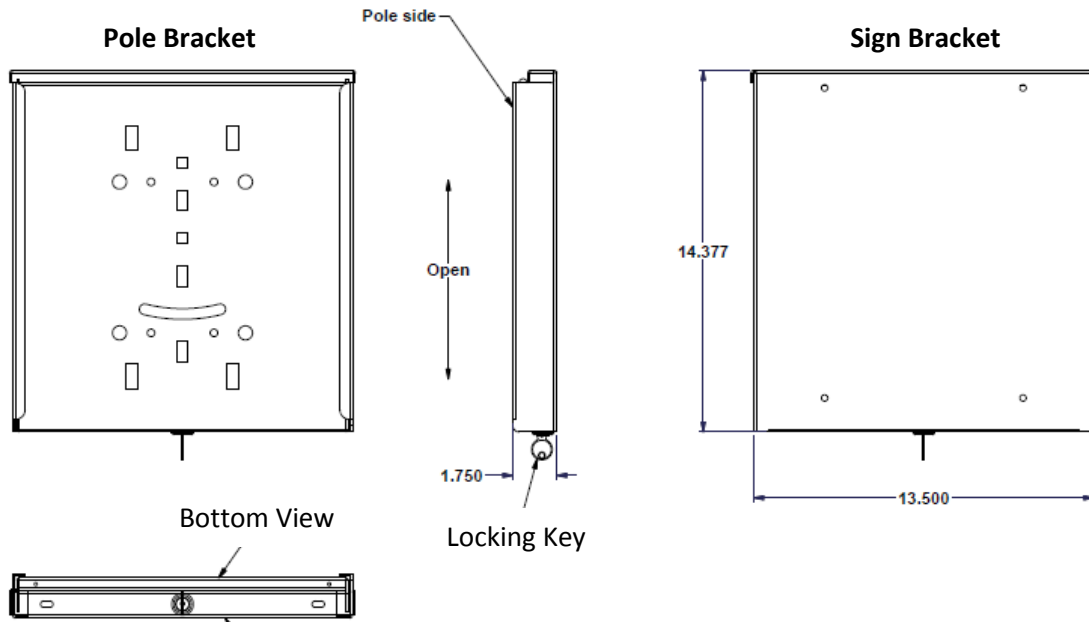


**\*ALL SPECIFICATIONS ARE SUBJECT TO CHANGE WITHOUT NOTICE**



Traffic Logix® Corp. | 3 Harriet Lane | Spring Valley, New York 10977  
T (866) 915-6449 F (866)995-6449 | [www.trafficlogix.com](http://www.trafficlogix.com) | [info@trafficlogix.com](mailto:info@trafficlogix.com)  
©2011 Traffic Logix Corporation

# Universal Mounting Bracket System

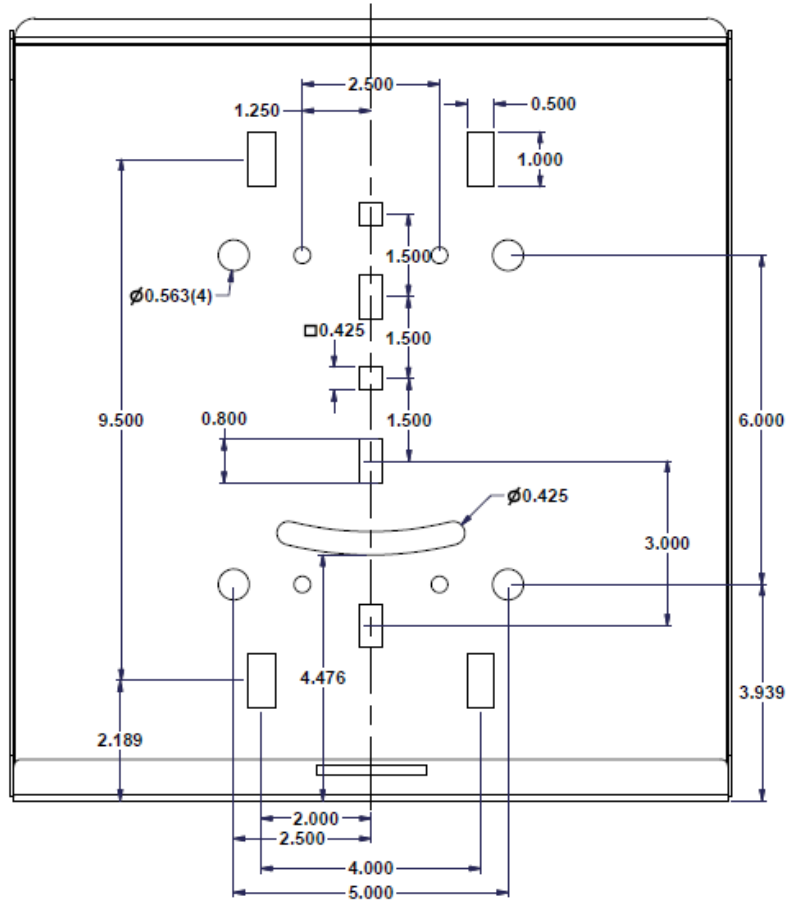


**\*ALL SPECIFICATIONS ARE SUBJECT TO CHANGE WITHOUT NOTICE**



Traffic Logix® Corp. | 3 Harriet Lane | Spring Valley, New York 10977  
T (866) 915-6449 F (866)995-6449 | [www.trafficlogix.com](http://www.trafficlogix.com) | [info@trafficlogix.com](mailto:info@trafficlogix.com)  
©2011 Traffic Logix Corporation

### Inside View of Pole Bracket



**\*ALL SPECIFICATIONS ARE SUBJECT TO CHANGE WITHOUT NOTICE**



Traffic Logix® Corp. | 3 Harriet Lane | Spring Valley, New York 10977  
 T (866) 915-6449 F (866)995-6449 | [www.trafficlogix.com](http://www.trafficlogix.com) | [info@trafficlogix.com](mailto:info@trafficlogix.com)  
 ©2011 Traffic Logix Corporation

## SafePace 100 Solar Panel (p/n: SP1S500)

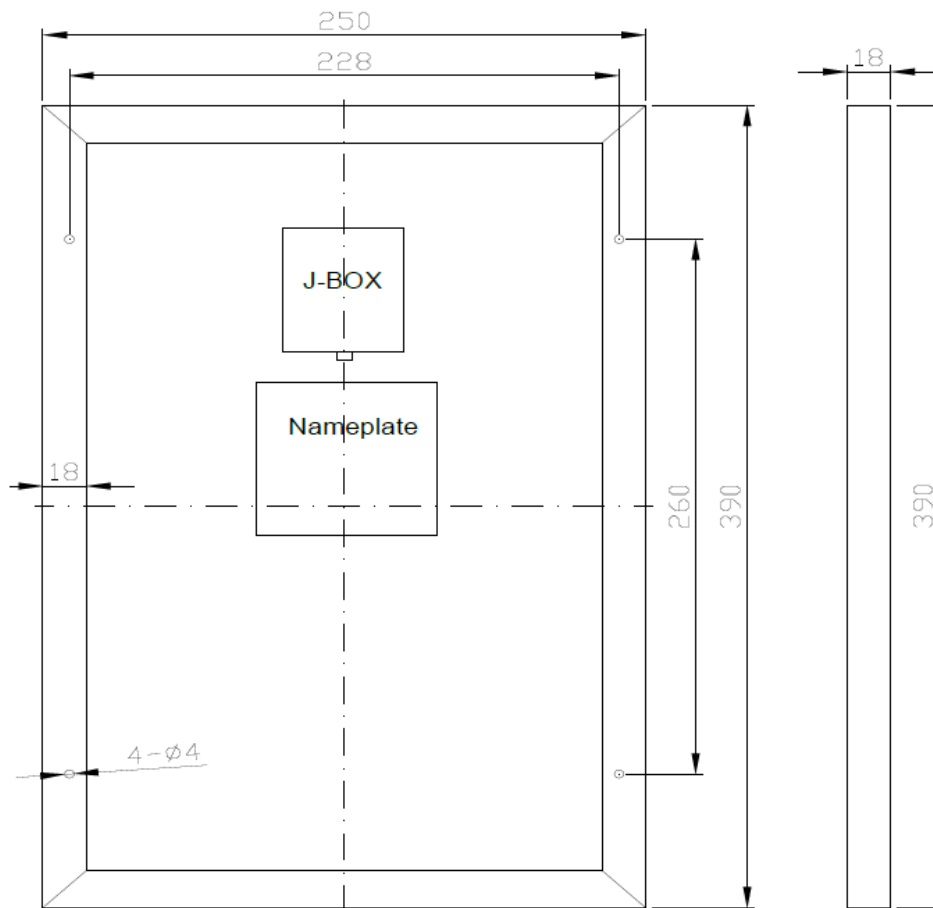
**Power Output: 10W**

**Operation Temperature Range: - 40°C ~ 85°C**

### Construction:

- **Laminate: Glass / EVA / TPT (tedlar/pet/tedlar) or TPE**
- **Front Side: High-transmission 3.2mm tempered glass**
- **Back Side: TPT /TPE**
- **Frame: Clear anodized aluminum frame**
- **Output :Junction box**

### Dimensional Drawing: (dimensions in mm)



**\*ALL SPECIFICATIONS ARE SUBJECT TO CHANGE WITHOUT NOTICE**



Traffic Logix® Corp. | 3 Harriet Lane | Spring Valley, New York 10977  
T (866) 915-6449 F (866)995-6449 | [www.trafficlogix.com](http://www.trafficlogix.com) | [info@trafficlogix.com](mailto:info@trafficlogix.com)  
©2011 Traffic Logix Corporation